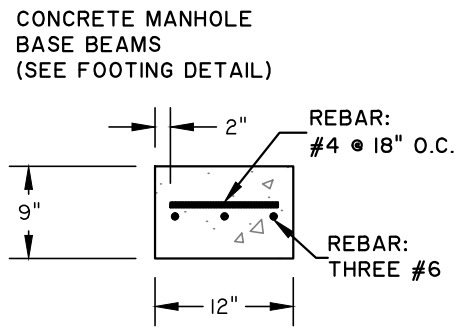
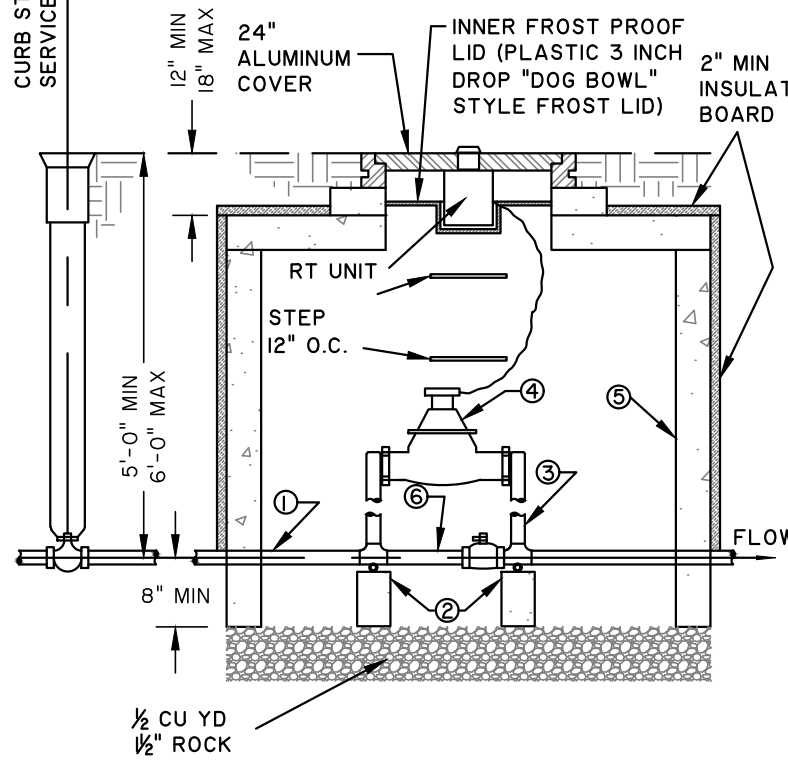


PLAN VIEW



FOOTING DETAIL



ELEVATION VIEW

LEGEND	
1	TYPE K COPPER TUBING
2	METER SETTER SUPPORT
3	METER SETTER
4	METER UNIT
5	48" CONCRETE MANHOLE
6	METER SETTER BYPASS

NOTES:

1. MANHOLE BASE BEAMS ARE REQUIRED FOR ALL INSTALLATIONS.
2. IF SURFACE IS NOT TO FINAL GRADE AT TIME OF METER INSTALLATION OR GRADE CHANGES AFTER INSTALLATION, OWNER MUST ADJUST VAULT TO MEET SPECIFICATIONS.
3. METER SETTING MUST BE INSPECTED BEFORE BACKFILLING. FOR INSPECTION CALL (970) 587-4331.
4. ALUMINUM COVER SHALL NOT COME INTO DIRECT CONTACT WITH CONCRETE COLLAR.
5. NO CONCRETE FLOOR TO BE POURED IN METER VAULT.
6. NO SPRINKLER SYSTEM CONNECTIONS SHALL BE MADE IN THE METER VAULT. SPRINKLER PIT SHALL BE 5 FT MINIMUM DOWNSTREAM FROM THE METER, MEASURED EDGE TO EDGE.
7. NO MAJOR LANDSCAPING OR STRUCTURES SHALL BE LOCATED WITHIN 10 FT OF METER VAULT.
8. PRESSURE REDUCING AND BACKFLOW DEVICES SHALL BE INSTALLED INSIDE BUILDING SERVED. INSTALL PER LATEST TOWN OF MILLIKEN ADOPTED PLUMBING CODE.
9. REFER TO TOWN OF MILLIKEN WATER AND SEWER CONSTRUCTION SPECIFICATIONS, CURRENT VERSION, FOR PRODUCT SPECIFICATIONS.



OUTSIDE SETTING FOR 1 1/2" & 2" METER

DETAIL NO. W-8

DATE: APRIL, 2020

SCALE: N.T.S.