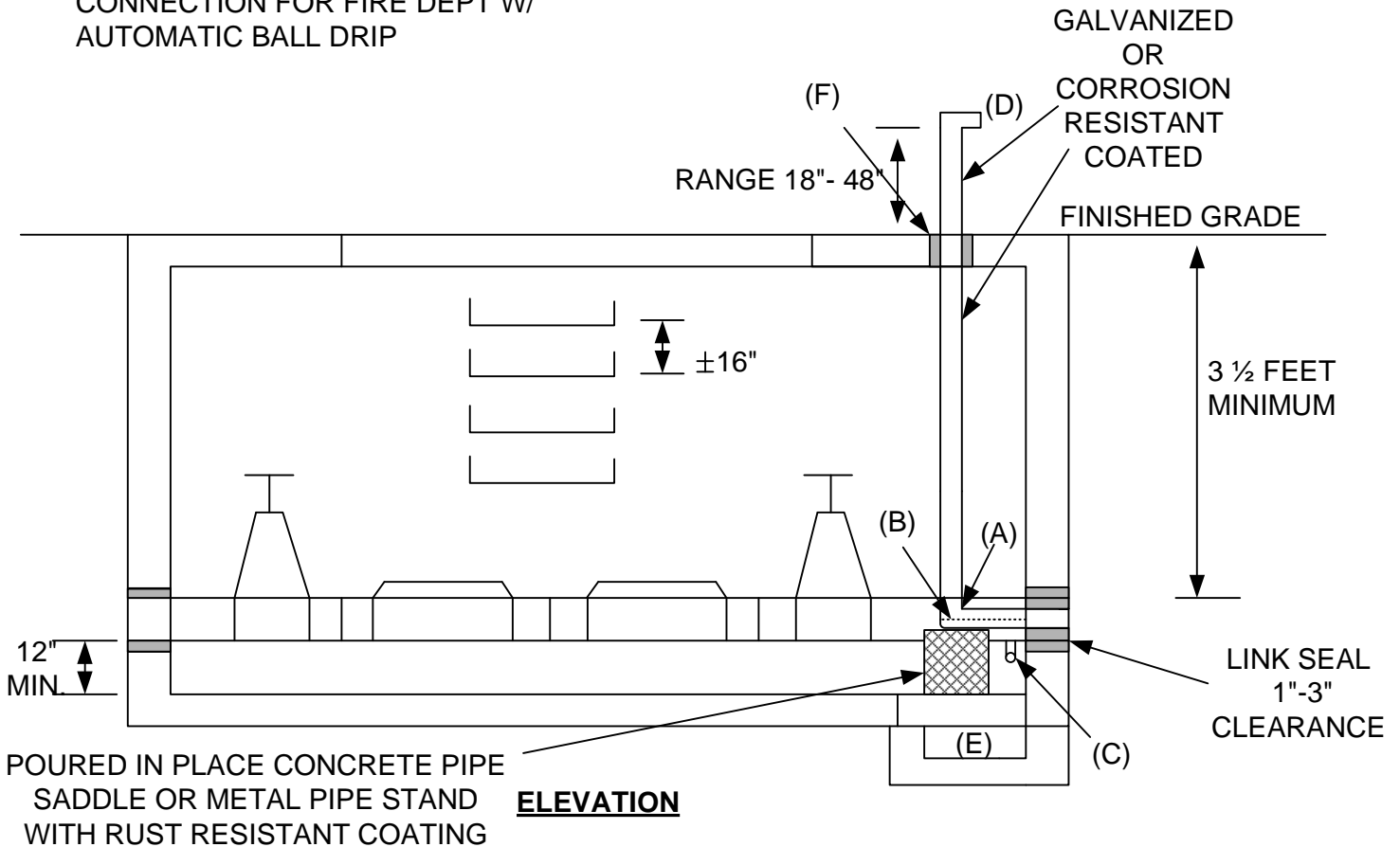


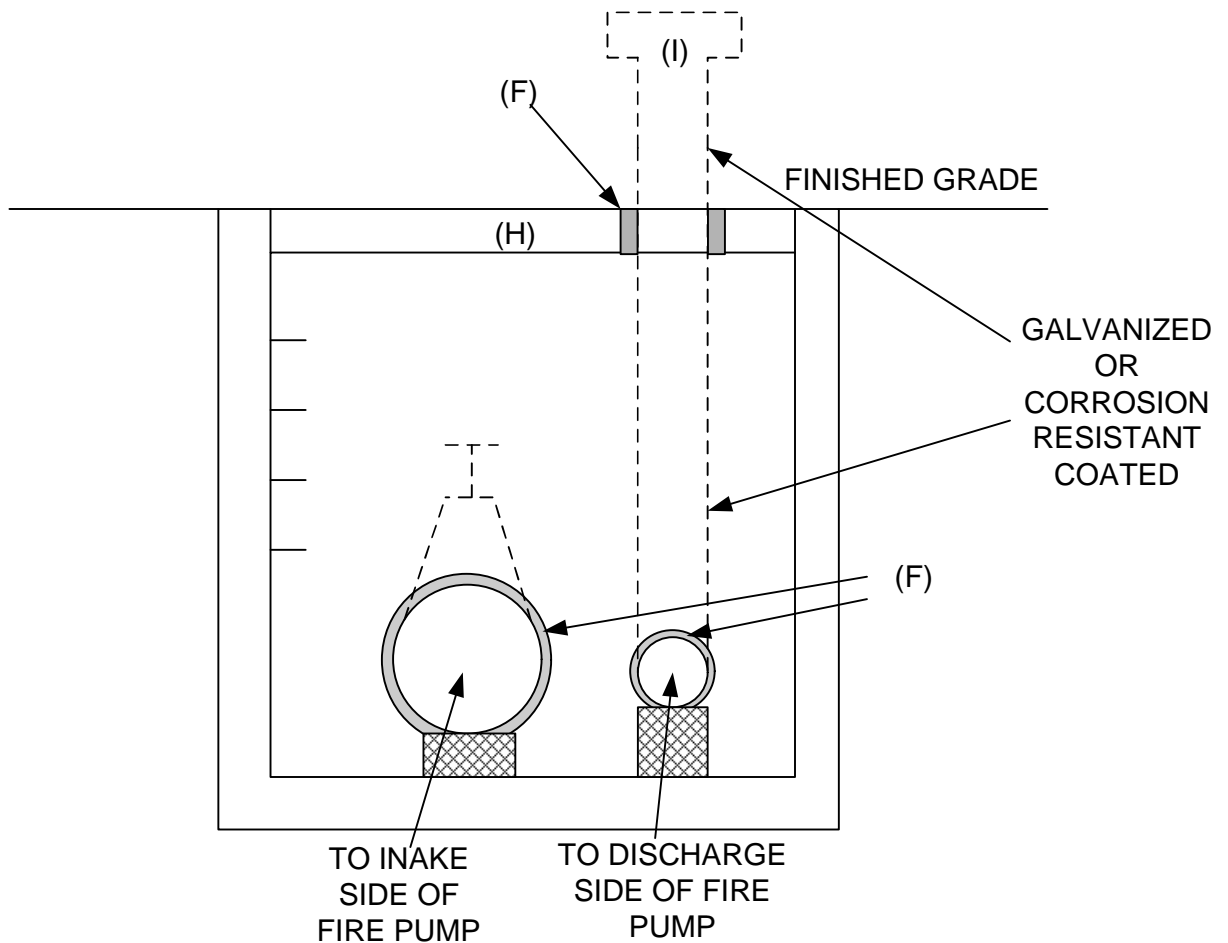
**PLAN**

- (A) 4" 90 DEGREE BEND
- (B) RODING AND BRACING PER RODING AND BLOCKING TABLE
- (C) BALL DRAIN VALVE
- (D) 2 - 2 1/2" THREADED N.S.T SIAMESE CONNECTION FOR FIRE DEPT W/ AUTOMATIC BALL DRIP
- (E) SUMP HOLE FOR SUMP PUMP OR GRAVITY DRAIN
- (F) LINK SEAL, 1"-3" CLEARANCE

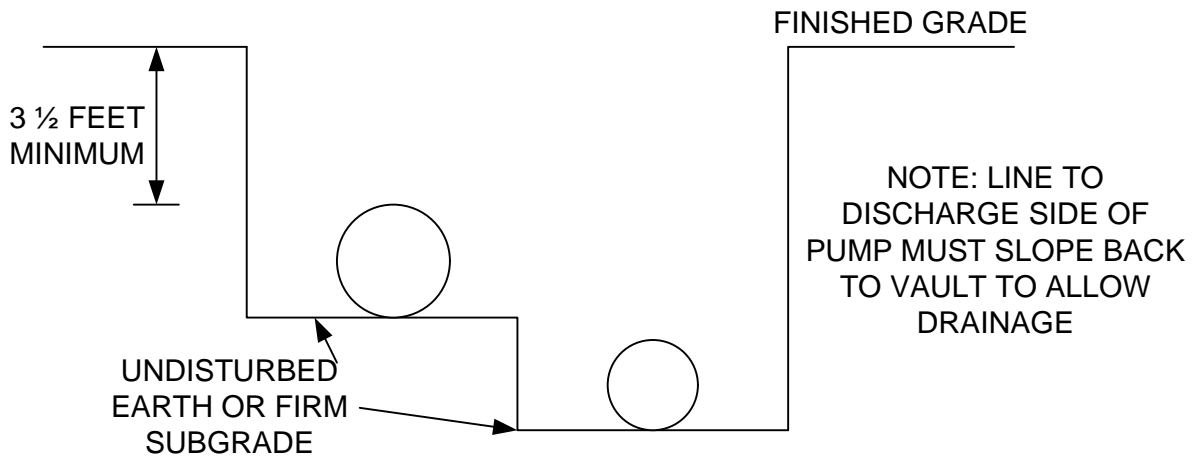


**ELEVATION**

<p>DATE: MARCH 2010</p>	<p><b>DOUBLE CHECK ASSEMBLY AND VAULT WITH FDC ARRANGEMENT FOR FIRE PUMP</b></p>	<p>PAGE: 1 OF 2</p>
-----------------------------	--	-------------------------



**ELEVATION SIDE VIEW**



**PARALLEL LINES IN SINGLE TRENCH**  
**ELEVATION SIDE VIEW**

<p>DATE: MARCH 2010</p>	<p><b>DOUBLE CHECK ASSEMBLY AND VAULT WITH FDC ARRANGEMENT FOR FIRE PUMP</b></p>	<p>PAGE: 2 OF 2</p>
-----------------------------	--	-------------------------