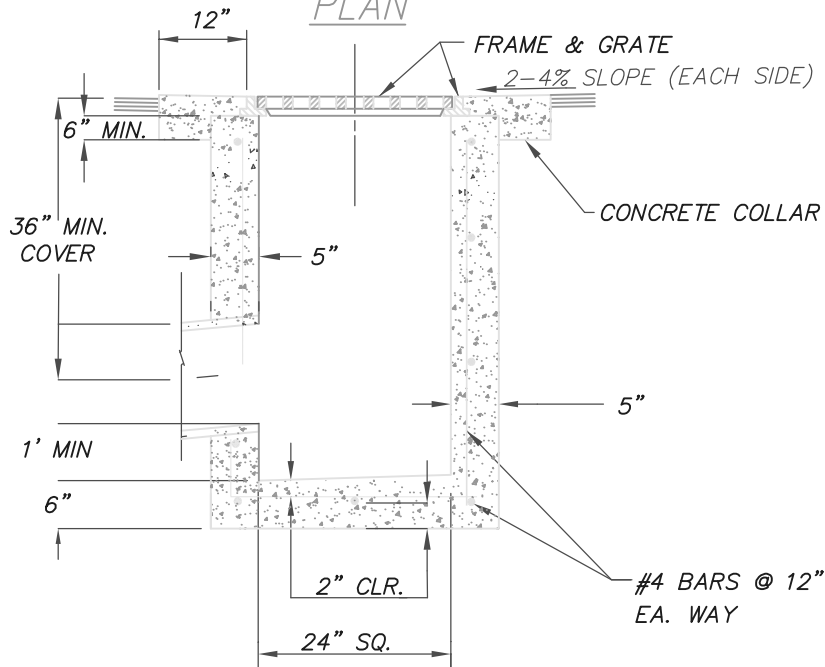


PLAN



SECTION A-A

NOTES:

1. CONCRETE SHALL MEET THE REQUIREMENTS OF SECTION 337.10 OF THE LATEST EDITION OF THE STANDARD SPECIFICATIONS FOR PUBLIC WORKS CONSTRUCTION.
2. AGGREGATE BASE MATERIAL SHALL MEET THE REQUIREMENTS OF SECTIONS 302, 304 & 308 OF THE LATEST EDITION OF THE STANDARD SPECIFICATIONS FOR PUBLIC WORKS CONSTRUCTION. USE STRUCTURAL BACKFILL FOR BASE BENEATH DROP INLET FLOOR AND BACKFILLING OF DROP INLET AND SHALL BE COMPACTED TO A RELATIVE COMPACTION OF 95%.
3. REINFORCING STEEL SHALL MEET THE REQUIREMENTS OF SECTION 326 OF THE LATEST EDITION OF THE STANDARD SPECIFICATIONS FOR PUBLIC WORKS CONSTRUCTION. REINFORCING STEEL TO HAVE A MINIMUM OF 2 INCH CLEARANCES.
4. DROP INLET MAY BE A CAST-IN-PLACE CONCRETE UNIT WITH PRIOR APPROVAL FROM THE CITY OF ELKO.
5. DROP INLET SHALL BE TRAFFIC-RATED & LOCATED AT THE LOW POINTS OR PER APPROVED PLANS..
6. INFLOW PIPE INVERT ELEVATION SHALL BE ≥ 0.1 FEET ABOVE OUTFLOW PIPE INVERT ELEVATION.
7. A STENCIL, SUPPLIED BY THE CITY OF ELKO, SHALL BE APPLIED TO THE TOP OF THE CONCRETE CURB ADJACENT TO THE DROP INLET WHICH READS "NO DUMPING! DRAINS TO RIVER".
8. GRATE OPENINGS SHALL BE PERPENDICULAR TO THE FLOWLINE AND SHALL BE A.D.A. COMPLIANT WHEN LOCATED IN ACCESSIBLE ROUTE.

NO.	REVISION	DATE	STANDARD DETAILS FOR PUBLIC WORKS CONSTRUCTION	SECTION	
1	OUTLET	9/09	DROP INLET TYPE 3R	DRAINAGE	
			CAST IN PLACE	DRAWING NO.	
			CITY OF ELKO, NEVADA	D-1.2	
				DATE	PAGE
				11/30/07	1