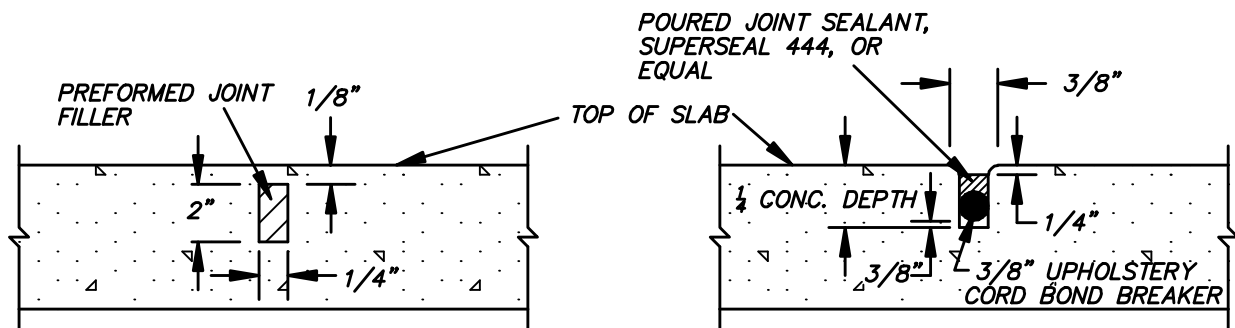


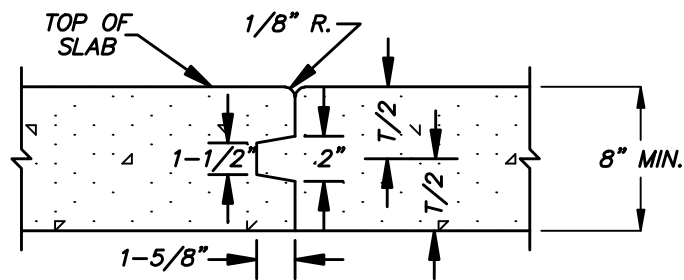
EXPANSION JOINT

WEAKENED PLANE JOINT
SIDEWALK, CURB & GUTTER



WEAKENED PLANE JOINT
P.C.C. PAVEMENT

SAWED OR PREMOLDED
STRIP JOINT



KEYED JOINT

NO.	REVISION	DATE	STANDARD DETAILS FOR PUBLIC WORKS CONSTRUCTION	SECTION	
			P.C.C. JOINTING DETAILS	ROADWAY	
				DRAWING NO.	
			CITY OF ELKO, NEVADA	R-10.1	
				DATE	PAGE
			11/30/07	1	