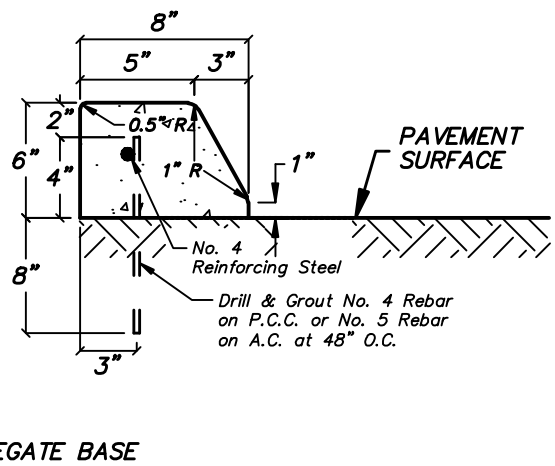
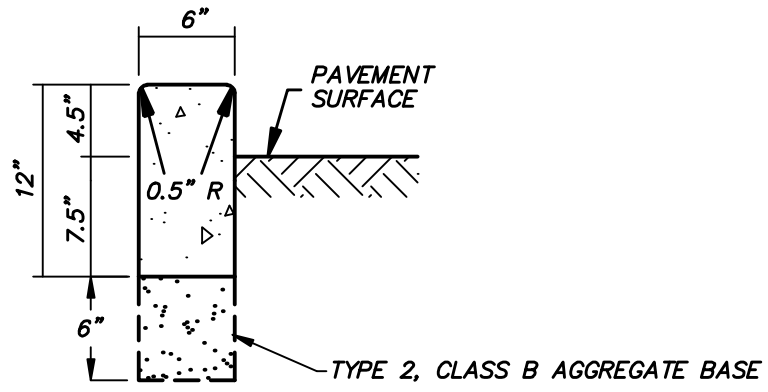


TYPE 1 MEDIAN CURB



TYPE 2 MEDIAN CURB



BARRIER CURB

**NOTES:**

1. CONCRETE SHALL MEET THE REQUIREMENTS OF SECTION 337.10 OF THE LATEST EDITION OF THE STANDARD SPECIFICATIONS FOR PUBLIC WORKS CONSTRUCTION,
2. AGGREGATE BASE MATERIAL SHALL MEET THE REQUIREMENTS OF SECTIONS 302 & 308 OF THE LATEST EDITION OF THE STANDARD SPECIFICATIONS FOR PUBLIC WORKS CONSTRUCTION.
3. ALL CONCRETE CURB SHALL HAVE 1/2" EXPANSION JOINTS EVERY 90 FEET AND AT ALL CURB RETURNS. WEAKENED PLANE JOINTS SHALL BE EVERY 10 FEET. FOR BARRIER CURB ONLY, PLACE WEAKENED PLANE JOINTS EVERY 5 FEET.
4. GLUE DOWN THE TYPE 2 MEDIAN CURB TO THE PAVEMENT SURFACE USING EPOXY CEMENT.

NO.	REVISION	DATE	STANDARD DETAILS FOR PUBLIC WORKS CONSTRUCTION		SECTION	
			MEDIAN & BARRIER CURB		ROADWAY	
CITY OF ELKO, NEVADA		DRAWING NO.				
				R-2.2		
				DATE	PAGE	
				11/30/07	1	