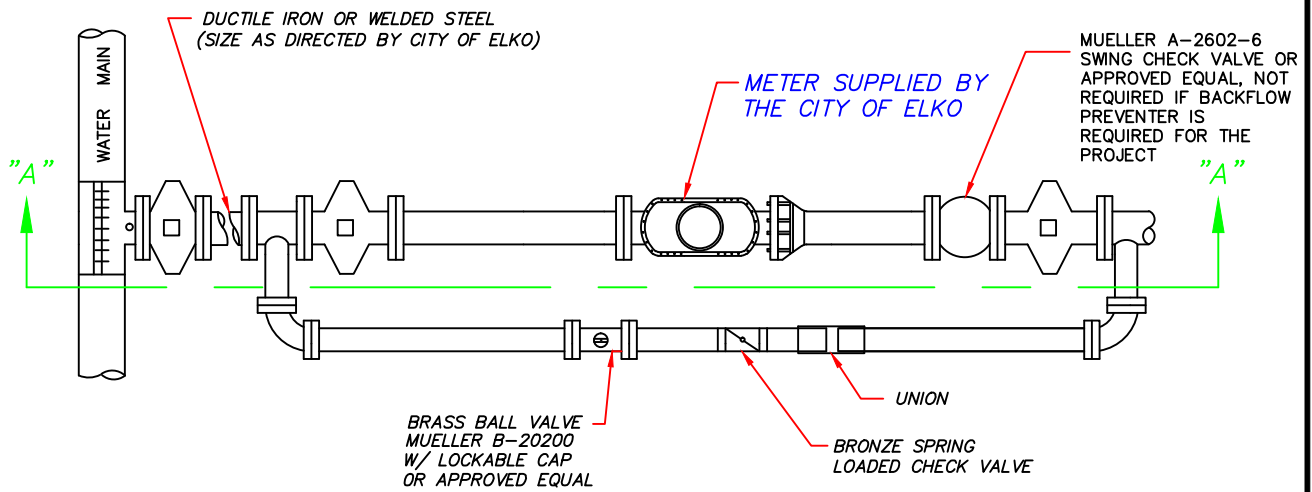


SECTION A-A



PLAN VIEW

NOTES:

1. A 3" METER SET REQUIRES A 4" GATE VALVE AT THE MAIN.
2. ALL STEEL SHALL BE PRIMED AND WRAPPED (MIN. 10 MILS.).
3. ACCESS STEPS SHALL BE POLYETHYLENE COATED.
4. A STRAIGHT RUN OF PIPE IS REQUIRED ON BOTH SIDES OF THE METER FOR A LENGTH EQUAL TO 2.5 TIMES THE PIPE DIAMETER.
5. BACKFLOW PREVENTORS MUST BE NO CLOSER THAN 4 TIMES THE PIPE DIAMETER DOWNSTREAM FROM THE METER.

NO.	REVISION	DATE	STANDARD DETAILS FOR PUBLIC WORKS CONSTRUCTION	SECTION UTILITIES
1	PIPE	11/2014	3" TO 8" METER SET	DRAWING NO. U-15.1
2	NOTES	2/2016		DATE 11/30/07
CITY OF ELKO, NEVADA				