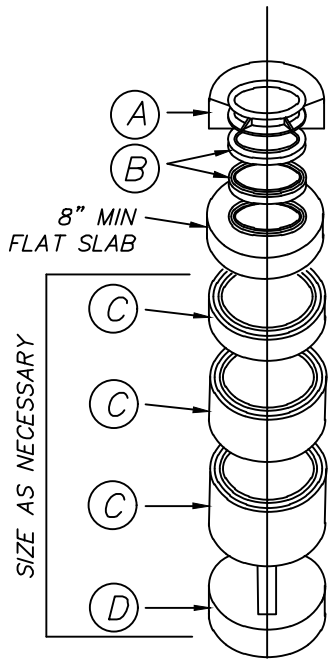
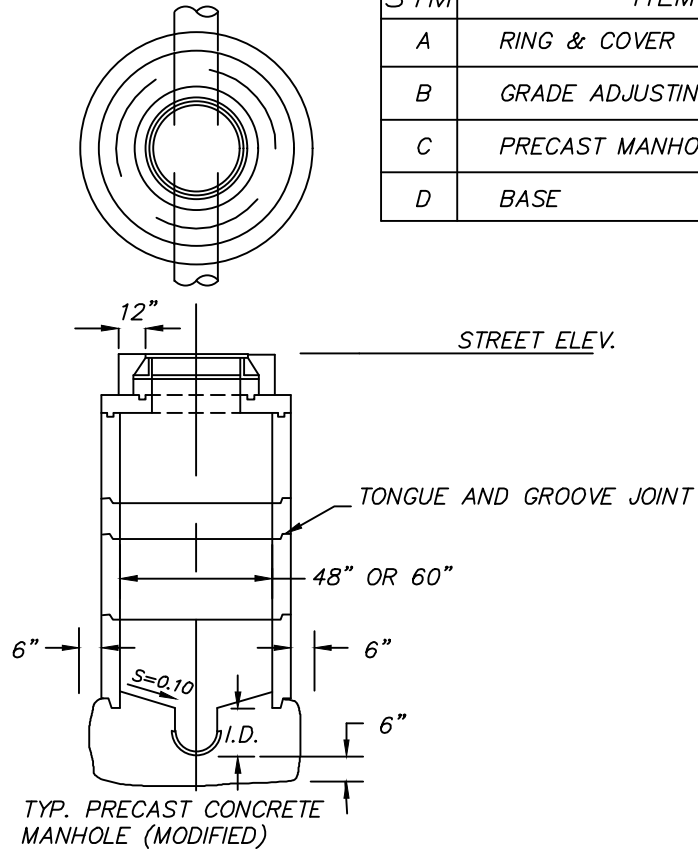


PRECAST MANHOLE COMPONENTS
SHALL CONFORM TO ASTM C-478

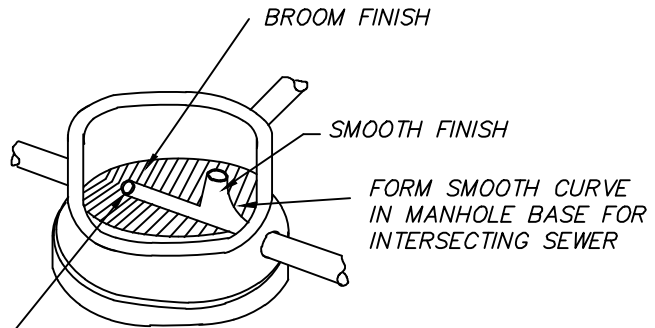
SYM	ITEM
A	RING & COVER
B	GRADE ADJUSTING
C	PRECAST MANHOLE SECTION
D	BASE



EXPLODED VIEW



TYP. PRECAST CONCRETE
MANHOLE (MODIFIED)



ISOMETRIC VIEW

PIPES SHALL NOT PROTRUDE
MORE THAN 3" INSIDE OF
MANHOLE SECTION. CONSTRUCT
WATER TIGHT CONNECTION TO
MANHOLE.

NOTES:

1. PIPE SECTION LENGTHS ARRANGED TO FIT DEPTH.
2. PRECAST BASE MAY BE USED IF APPROVED BY GOVERNING AGENCY.
3. MANHOLE STEPS ARE NOT REQUIRED.
4. REFER TO DETAIL SHEET (MANHOLE - GENERAL NOTES) FOR ADDITIONAL INFORMATION.

NO.	REVISION	DATE	STANDARD DETAILS FOR PUBLIC WORKS CONSTRUCTION	SECTION UTILITIES
1	CONCENTRIC	9/16/19	TYPE 2 MANHOLE	DRAWING NO. U-4.3
				CITY OF ELKO, NEVADA
				PAGE 1