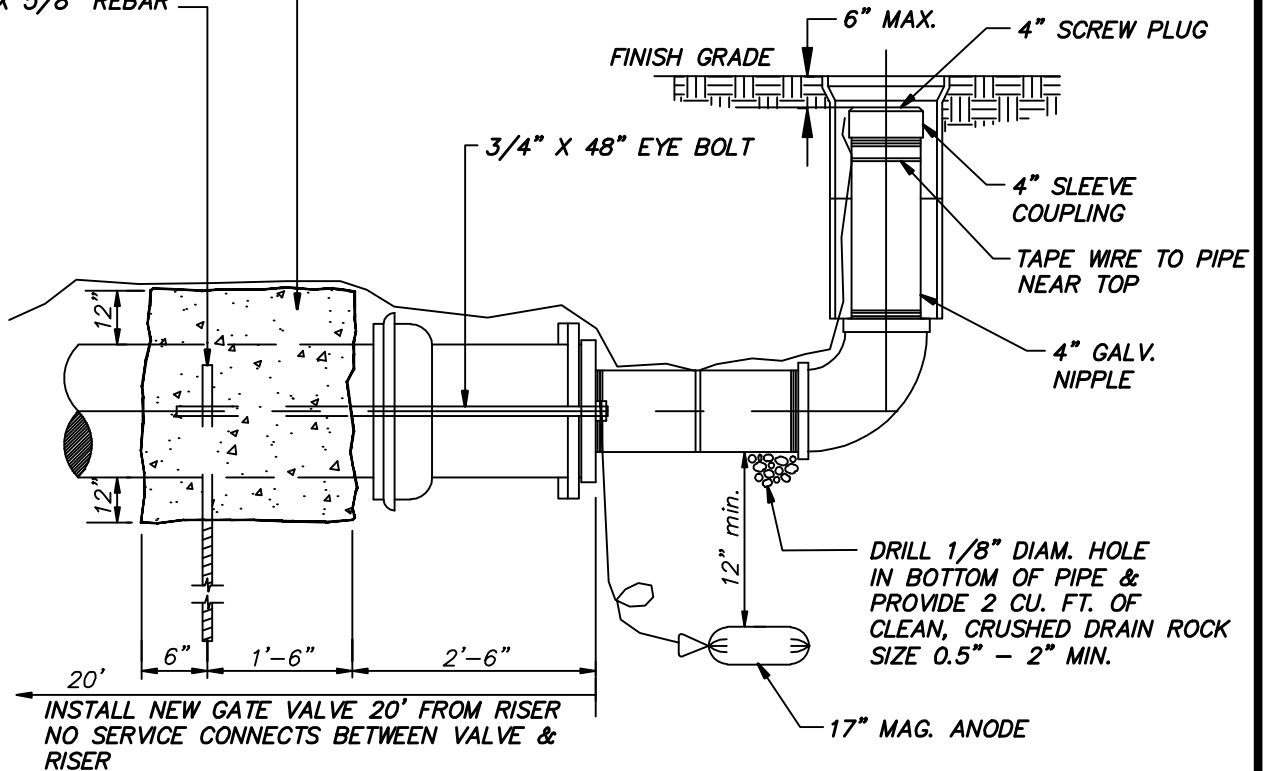


CONCRETE THRUST BLOCK

4' X 5/8" REBAR



NO.	REVISION	DATE	STANDARD DETAILS FOR PUBLIC WORKS CONSTRUCTION	SECTION
			TEMPORARY FLUSH ASSEMBLY	UTILITIES
				DRAWING NO. U-11.2
			CITY OF ELKO, NEVADA	DATE 11/30/07
				PAGE 1