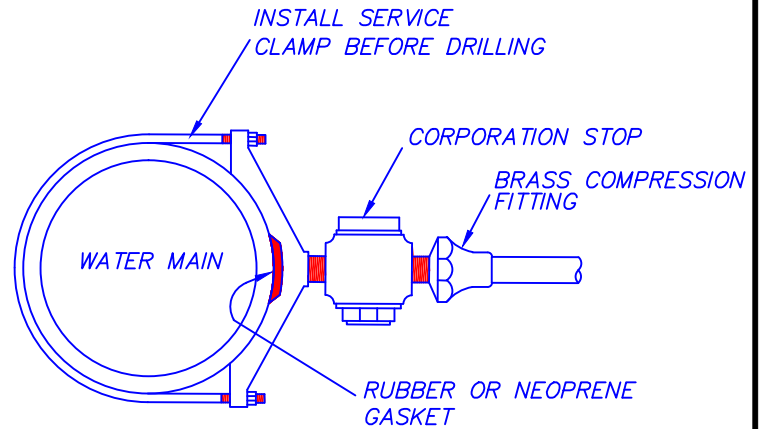


SERVICE TAP



NOTES:

1. CORPORATION STOP, CURB STOP, (GATE VALVE 4" OR LARGER) AND SERVICE LINE TO BE SAME SIZE.
2. SERVICE CLAMPS SHALL BE DOUBLE STRAP FOR ALL SERVICE TAP SIZES, EXCEPT WHERE SIZE OF TAP EXCEEDS MANUFACTURER'S RECOMMENDED LIMIT FOR SIZE OF MAIN.
3. TAPS SHALL BE STAGGERED AND PLACED A MINIMUM OF 12" APART FOR DUCTILE IRON PIPE. TAPS SHALL BE STAGGERED AND PLACED A MINIMUM OF 18" APART FOR C900. NO TAPS SHALL BE CLOSER THAN 2 FEET FROM THE ENDS OF PIPE.
4. ALL JOINT FITTINGS SHALL BE OF BRASS COMPRESSION TYPE.

NO.	REVISION	DATE	STANDARD DETAILS FOR PUBLIC WORKS CONSTRUCTION	SECTION
1	UPDATE	5/26/11	WATER SERVICE CONNECTION	UTILITIES
				DRAWING NO.
				U-12.1
				DATE
				11/30/07
				PAGE
				1
CITY OF ELKO, NEVADA				