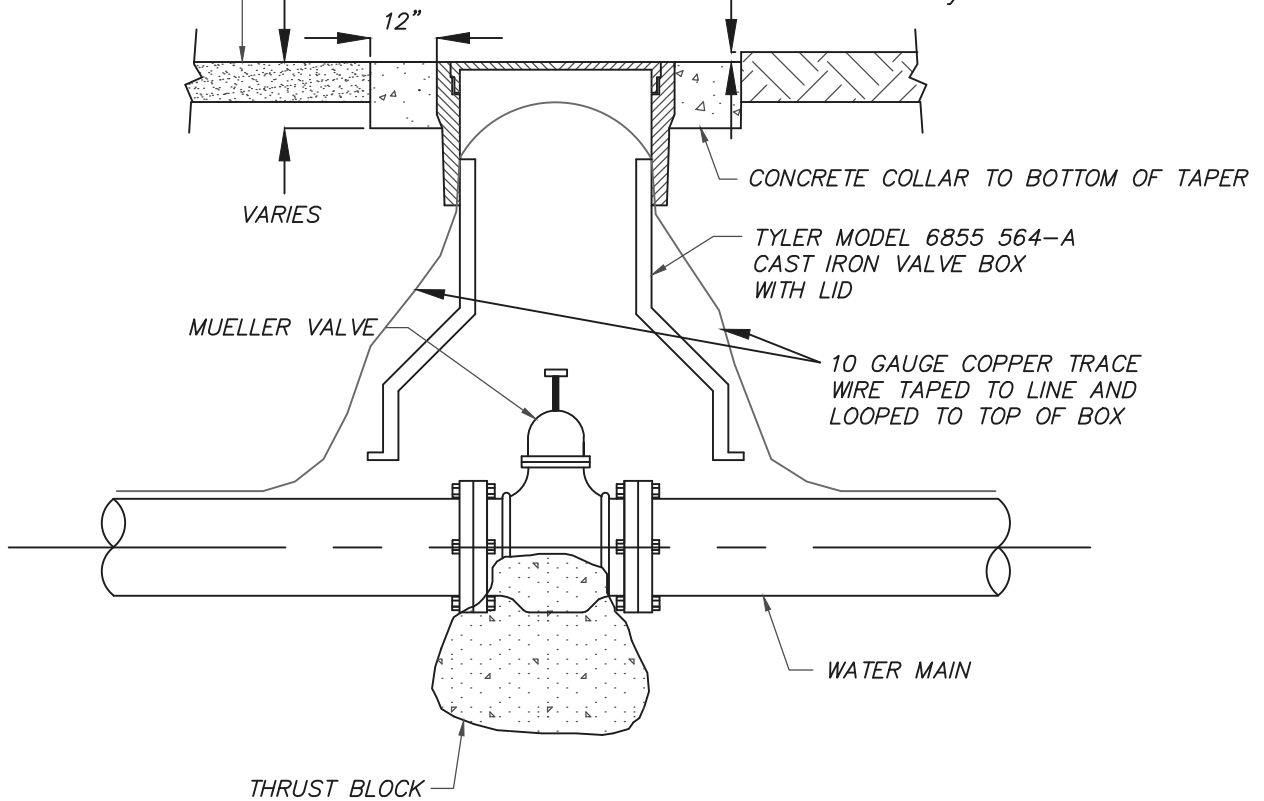


Place Collar Flush with Areas Other than Finished Roadway Surface

Place Collar 1/4" - 1/2" Below Finished Roadway Surface



NOTES:

1. CONCRETE SHALL MEET THE REQUIREMENTS OF SECTION 337.10 OF THE LATEST EDITION OF THE STANDARD SPECIFICATIONS FOR PUBLIC WORKS CONSTRUCTION, UNLESS OTHERWISE SPECIFIED.
2. VALVE COLLAR SHALL BE SET 1/4" TO 1/2" BELOW FINISHED CONCRETE OR BITUMINOUS SURFACE. VALVE COLLARS IN ALL OTHER AREAS SHALL BE SET FLUSH WITH FINISHED GRADE, UNLESS OTHERWISE SPECIFIED.
3. CONCRETE COLLAR REQUIRED WHEN VALVE IS NOT LOCATED IN CONCRETE OR BITUMINOUS SURFACE.

NO.	REVISION	DATE	STANDARD DETAILS FOR PUBLIC WORKS CONSTRUCTION	SECTION
1	ADJ. WIRE	3/2011	VALVE DETAIL	UTILITIES
				DRAWING NO.
				U-19.1
			CITY OF ELKO, NEVADA	DATE
				11/30/07
				1