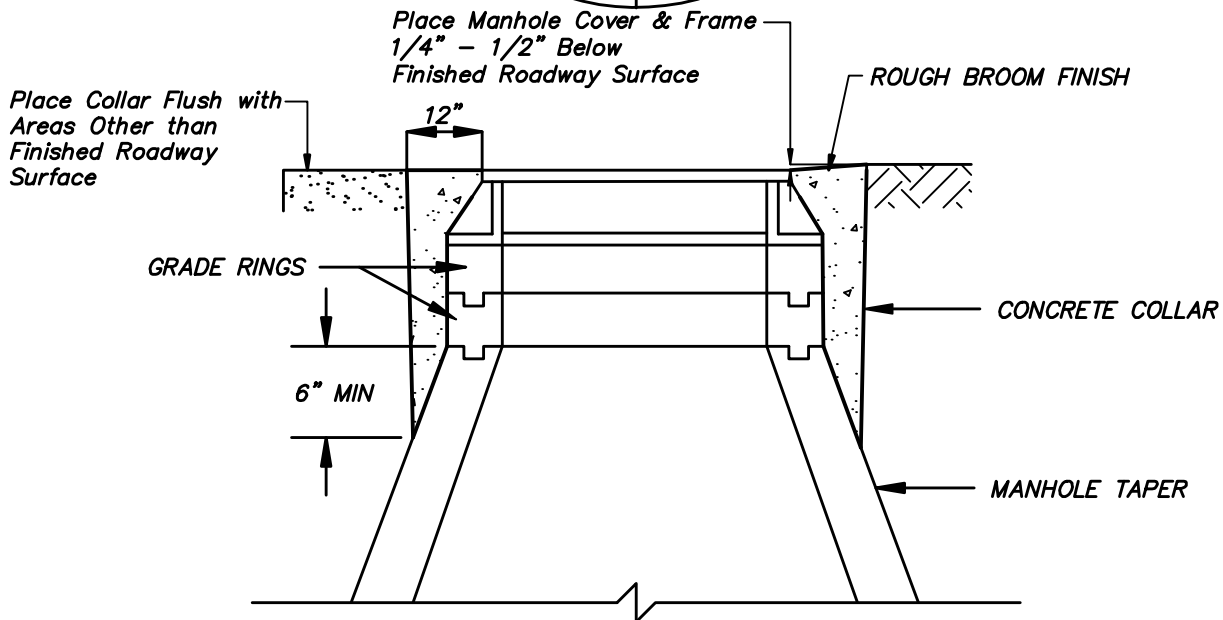
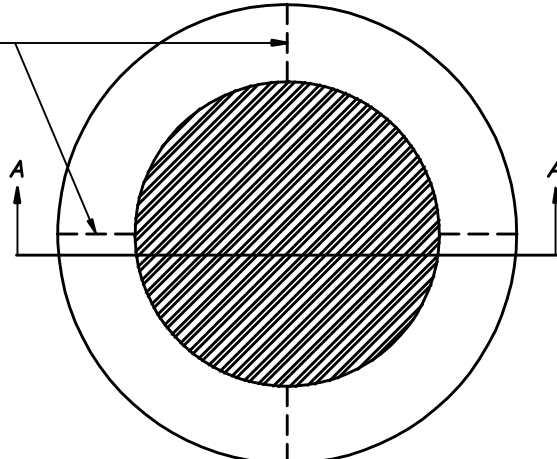


Score 4 Lines on Top of Concrete Collar at a depth equal to $\frac{1}{4}$ the concrete thickness. Edge the score lines at a $\frac{1}{2}$ " Radius. Two Parallel & Two Perpendicular to Centerline of Roadway



SECTION A-A

NOTES:

1. CONCRETE SHALL MEET THE REQUIREMENTS OF SECTION 337.10 OF THE LATEST EDITION OF THE STANDARD SPECIFICATIONS FOR PUBLIC WORKS CONSTRUCTION.
2. MANHOLE COVER & FRAME SHALL BE SET $\frac{1}{4}$ " TO $\frac{1}{2}$ " BELOW FINISHED CONCRETE OR BITUMINOUS SURFACE. MANHOLE COLLARS IN ALL OTHER AREAS SHALL BE SET FLUSH WITH FINISHED GRADE, UNLESS OTHERWISE SPECIFIED.
3. CONCRETE COLLAR IS REQUIRED WHEN MANHOLE IS NOT LOCATED IN CONCRETE OR BITUMINOUS SURFACE.
4. REFER TO DETAIL SHEET (MANHOLE - GENERAL NOTES) FOR ADDITIONAL INFORMATION.

NO.	REVISION	DATE	STANDARD DETAILS FOR PUBLIC WORKS CONSTRUCTION	SECTION UTILITIES
1	lar	10/08/08	MANHOLE COLLAR	DRAWING NO. U-5.1
				CITY OF ELKO, NEVADA
				PAGE 1